

iDS-7200HQHI-K1/S SERIES TURBO ACUSENSE DVR

Key Features

- Support Deep learning-based analysis
- Support H.265 Pro+/H.265 Pro/H.265 video compression
- Support HDTV/ AHD/ CVI/ CVBS/ IP video input
- Max. 6/12/24 IP cameras input (up to 6 PM)
- Max. 800 m for 1080p and 1200 m for 720p HDTV signal transmission
- Up to 10 TB capacity per HDD



Compression and Recording

- H.265 Pro+ can be enabled to improve encoding efficiency and reduce data storage costs
- Full channel recording at up to 4 MP lite resolution

Storage and Playback

- Smart search for efficient playback
- Support the third party cloud storage (Dropbox/Google Drive/Microsoft OneDrive)

Smart Function

- Support multiple VCA (Video Content Analytics) events for both analog and smart IP cameras
- Deep learning-based analysis: re-recognition of the human body or vehicle target in behavior detection to filter false alarm, support 2-ch detection for iDS-7204HQHI-K1/2S and 4-ch for iDS-7208HQHI-K1/4S

Network & Ethernet Access

- Hik-Connect & DDNS (Dynamic Domain Name System) for easy network management
- Output bandwidth limit configurable

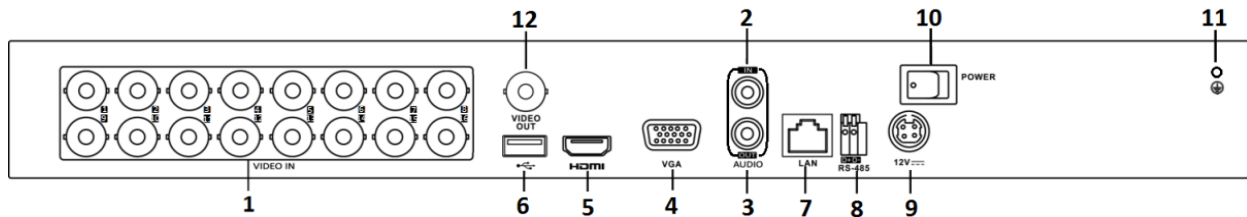


Specifications

Model	iDS-7204HQHI-K1/2S	iDS-7208HQHI-K1/4S	iDS-7216HQHI-K1/4S
Recording			
Video compression	H.265 Pro+/H.265 Pro/H.265/H.264+/H.264		
Encoding resolution@ Frame rate	Main stream: When 1080p lite mode not enabled: For 4 MP stream access: 4 MP lite@15fps; 1080p lite/720p/WD1/4CIF/VGA/CIF@25fps (P)/30fps (N) For 3 MP stream access: 3 MP/1080p/720p/VGA/WD1/4CIF/CIF@15fps For 1080p stream access: 1080p/720p@15fps; VGA/WD1/4CIF/CIF@25fps (P)/30fps (N) For 720p stream access: 720p/VGA/WD1/4CIF/CIF@25fps (P)/30fps (N) When 1080p Lite mode enabled: 4 MP lite/3 MP@15fps; 1080p lite/720p lite/VGA/WD1/4CIF/CIF@25fps (P)/30fps (N) Sub-stream: WD1/4CIF@12fps; CIF@25fps (P)/30fps (N)		
Video bit rate	32 Kbps to 6 Mbps		
Dual stream	Support		
Stream type	Video, Video & Audio		
Audio compression	G.711u		
Audio bit rate	64 Kbps		
Video and Audio			
IP video input	2-ch (up to 6-ch)	4-ch (up to 12-ch)	8-ch (up to 24-ch)
	Up to 6 MP resolution		
	Support H.265+/H.265/H.264+/H.264 IP cameras		
Analog video input	4-ch	8-ch	16-ch
	BNC interface (1.0 Vp-p, 75 Ω), supporting coaxitron connection		
HDTV I input	4 MP, 3 MP, 1080p30, 1080p25, 720p60, 720p50, 720p30, 720p25 *: The 3 MP signal input is only available for channel 1 of iDS-7204HQHI-K1/2S, for channel 1/2 of iDS-7208HQHI-K1/4S, and for channel 1/2/3/4 of iDS-7216HQHI-K1/4S.		
AHD input	4 MP, 1080p25, 1080p30, 720p25, 720p30		
HDCVI input	1080p25, 1080p30, 720p25, 720p30		
CVBS input	PAL/NTSC		
CVBS output	1-ch, BNC (1.0 Vp-p, 75 Ω), resolution: PAL: 704 × 576, NTSC: 704 × 480		
HDMI/VGA output	1-ch, 1920 × 1080/60Hz, 1280 × 1024/60Hz, 1280 × 720/60Hz, 1024 × 768/60Hz, HDMI/VGA Simultaneous Output		
Audio input	1-ch, RCA (2.0 Vp-p, 1 KΩ)		
Audio output	1-ch, RCA (Linear, 1 KΩ)		
Two-way audio	1-ch, RCA (2.0 Vp-p, 1 KΩ) (using the first audio input)		
Synchronous playback	4-ch	8-ch	16-ch
Network			
Remote connections	32	64	128

Network protocols	TCP/IP, PPPoE, DHCP, Hik-Connect, DNS, DDNS, NTP, SADP, NFS, iSCSI, UPnP™, HTTPS, ONVIF		
Network interface	1, RJ45 10M/100M self-adaptive Ethernet interface		1, RJ45 10M/100M/1000M self-adaptive Ethernet interface
Auxiliary interface			
SATA	1 SATA interface		
Capacity	Up to 10 TB capacity for each disk		
Serial interface	RS-485 (half-duplex)		
USB interface	2 × USB 2.0		
Alarm in/out	N/A		
General			
Power supply	12 VDC		
Consumption (without HDD)	≤ 10 W	≤ 18 W	≤ 25 W
Working temperature	-10 °C to +55 °C (+14 °F to +131 °F)		
Working humidity	10% to 90%		
Dimensions (W × D × H)	315 × 242 × 45 mm (12.4 × 9.5 × 1.8 inch)		
Weights (without HDD)	≤ 1.16 kg (2.6 lb)	≤ 1.78 kg (3.9 lb)	≤ 2 kg (4.4 lb)

Physical Interfaces



*: The rear panel of iDS-7204HQHI-K1/2S provides 4 video input interfaces. The rear panel of iDS-7208HQHI-K1/4S provides 8 video input interfaces.

No.	Description	No.	Description
1	VIDEO IN	7	LAN Network Interface
2	AUDIO IN, RCA Connector	8	RS-485 Serial Interface
3	AUDIO OUT, RCA Connector	9	12 VDC Power Input
4	VGA Interface	10	Power Switch
5	HDMI Interface	11	GND
6	USB Interface	12	VIDEO OUT

Available Models

iDS-7204HQHI-K1/2S, iDS-7208HQHI-K1/4S, iDS-7216HQHI-K1/4S

Distributed by



HIKVISION®

Headquarters

No.555 Qianmo Road, Binjiang District,
Hangzhou 310051, China
T +86-571-8807-5998
overseasbusiness@hikvision.com

Hikvision USA
T +1-909-895-0400
sales.usa@hikvision.com

Hikvision Australia
T +61-2-8599-4233
salesau@hikvision.com

Hikvision India
T +91-22-28469900
sales@pramahikvision.com

Hikvision Canada
T +1-866-200-6690
sales.canada@hikvision.com

Hikvision Thailand
T +662-275-9949
sales.thailand@hikvision.com

Hikvision Europe
T +31-23-5542770
sales.eu@hikvision.com

Hikvision Italy
T +39-0438-6902
info.it@hikvision.com

Hikvision Brazil
T +55 11 3318-0050
Latam.support@hikvision.com

Hikvision Turkey
T +90 (216)521 7070- 7074
sales.tr@hikvision.com

Hikvision Malaysia
T +601-7652-2413
sales.my@hikvision.com

Hikvision UK & Ireland
T +01628-902140
sales.uk@hikvision.com

Hikvision South Africa
Tel: +27 (10) 0351172
sale.africa@hikvision.com

Hikvision France
T +33(0)1-85-330-450
info.fr@hikvision.com

Hikvision Kazakhstan
T +7-727-9730667
nikia.panfilov@hikvision.ru

Hikvision Vietnam
T +84-974270888
sales.vt@hikvision.com

Hikvision UAE
T +971-4-4432090
salesme@hikvision.com

Hikvision Singapore
T +65-6684-4718
sg@hikvision.com

Hikvision Spain
T +34-91-737-16-55
info.es@hikvision.com

Hikvision Tashkent
T +99-87-1238-9438
uzb@hikvision.ru

Hikvision Hong Kong
T +852-2151-1761
info.hk@hikvision.com

Hikvision Russia
T +7-495-669-67-99
saleru@hikvision.com

Hikvision Korea
T +82-[0]31-731-8817
sales.korea@hikvision.com

Hikvision Poland
T +48-22-460-01-50
info.pl@hikvision.com

Hikvision Indonesia
T +62-21-2933759
Sales.Indonesia@hikvision.com

Hikvision Colombia
sales.colombia@hikvision.com

DS-2CE12DFT-F 2 MP Full Time Color Bullet Camera

ColorVu



Key Feature

- 2 MP high performance CMOS
- 1920 × 1080 resolution
- Full time color
- 3.6 mm, 6 mm fixed lens
- Up to 40 m white light distance
- OSD menu, 3D DNR, true WDR
- 4 in 1 video output (switchable TVI/AHD/CVI/CVBS)
- IP67
- Up the coax (HIKVISION-C)



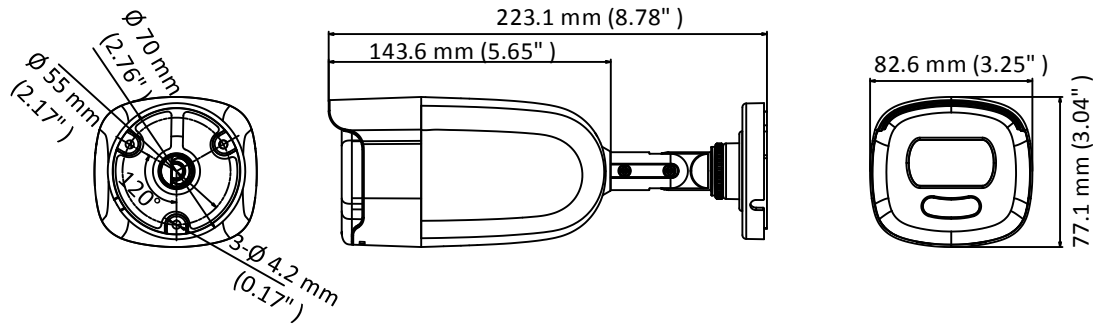
Specification

Camera	
Image Sensor	2 MP CMOS image sensor
Resolution	1920 (H) × 1080 (V)
Frame Rate	PAL: 1080p@25fps NTSC: 1080p@30fps
Min. illumination	Color: 0.0005 Lux @ (F1.0, AGC ON), 0 Lux with white light
Shutter Time	PAL: 1/25 s to 1/50, 000 s NTSC: 1/30 s to 1/50, 000 s
Slow Shutter	Max. 16x
Lens	3.6 mm, 6 mm fixed lens
Horizontal Field of View	83.6° (3.6 mm), 52.8° (6 mm)
Lens Mount	M16
Day & Night	Color
Angle Adjustment	Pan: 0° to 360°; Tilt: 0° to 180°; Rotate: 0° to 360°
Synchronization	Internal synchronization
WDR (Wide Dynamic Range)	130 dB
Menu	
AGC	Yes
White Balance	Auto/Manual
HLC	Yes
BLC (Backlight Compensation)	Yes
Privacy Mask	4 programmable privacy masks
Motion Detection	4 programmable areas
WDR	Yes
Functions	Brightness, Sharpness, 3D DNR, Mirror, Smart light
Interface	
Video Output	1 HD analog output
Switch Button	TVI/AHD/CVI/CVBS
General	
Operating Conditions	-40 °C to 60 °C (-40 °F to 140 °F), humidity: 90% or less (non-condensation)
Power Supply	12 VDC ± 25%
Power Consumption	Max. 4.2 W
Protection Level	IP67
Material	Front Cover: Metal Main Body: Plastic Bracket: Metal
White Light	Up to 40 m
Communication	Up the coax, Protocol: HIKVISION-C (TVI output)
Dimensions	223.1 mm × 77.1 mm × 82.6 mm (8.78" × 3.04" × 3.25")
Weight	Approx. 436 g (0.96 lb.)

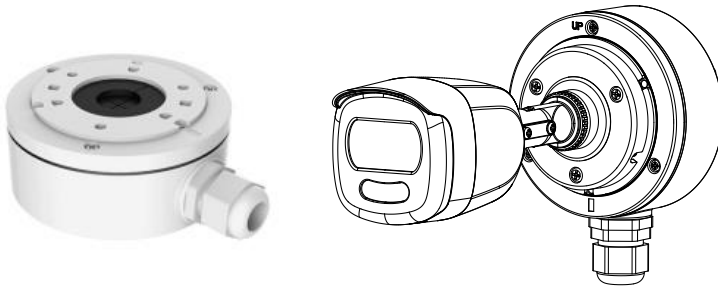
Order Model

DS-2CE12DFT-F

Dimension



Accessory



DS-1280ZJ-XS

Junction Box

Distributed by



Headquarters

No.555 Qianmo Road, Binjiang District,
Hangzhou 310051, China
T +86-571-8807-5998
overseasbusiness@hikvision.com

Hikvision USA
T +1-909-895-0400
sales.usa@hikvision.com

Hikvision Europe
T +31-23-5542770
saleseuro@hikvision.com

Hikvision Middle East
T +971-4-8816086
salesme@hikvision.com

Hikvision Russia
T +7-495-669-67-99
saleru@hikvision.com

Hikvision India
T +91-22-28469900
sales@pramahikvision.com

Hikvision Italy
T +39-0438-6902
info.it@hikvision.com

Hikvision France
T +33(0)1-85-330-444
info.fr@hikvision.com

Hikvision Spain
T +34-91-737-16-55
info.es@hikvision.com

Hikvision Poland
T +48-22-460-01-50
poland@hikvision.com

Hikvision UK
T +44-1628-9021-4
support.uk@hikvision.com

Hikvision Singapore
T +65-6684-4718
sg@hikvision.com

Hikvision Oceania
T +61-2-8599-4233
salesau@hikvision.com

Hikvision Hong Kong
T +852-2151-1761

Hikvision Canada
T +1-909-895-0400
sales.usa@hikvision.com